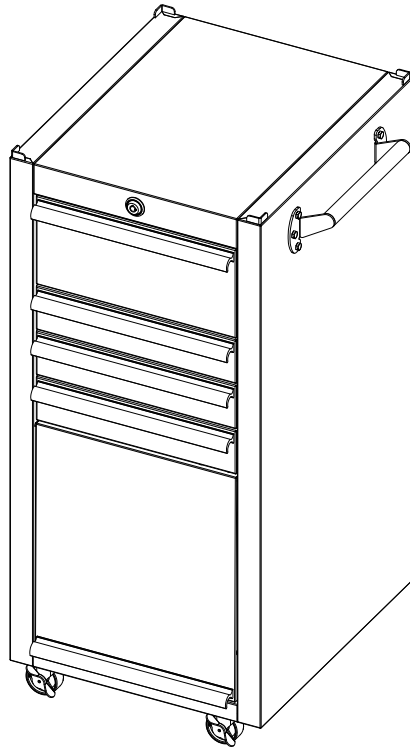


4-Drawer Salon Cart Manual



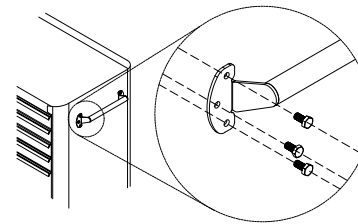
NECESSARY TOOLS REQUIRED FOR ASSEMBLY

- 6mm socket (for cabinet side handles)
- 10mm socket
- Extension ratchet

FIRST

INSTALL THE HANDLE

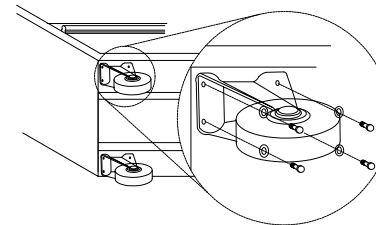
Position the handle over the holes and attach with the bolts provided. Tighten securely using a 10mm socket.



SECOND

INSTALL THE CASTERS

Carefully lay bottom cabinet on its back using a soft mat under the back for protection. Position the four swivel casters on the bottom of the cabinet, insert M5x16 bolts through washers, then through the casters and into the bottom of the cabinet. Tighten securely using a 14mm socket.

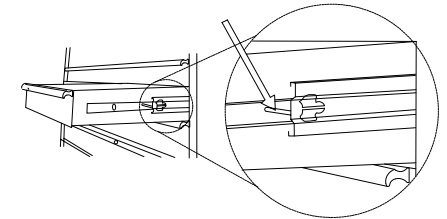


TO REMOVE AND REPLACE DRAWERS

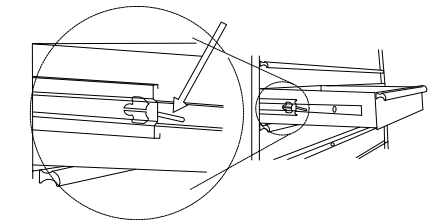
TO REMOVE DRAWERS

Pull drawer out so it's almost fully extended. Push up one hand black release lever, while pulling down the other hand black release lever. While holding the levers in the positions as instructed above, pull the drawer outward until it is released from the drawer slide.

PUSH UP (ONE HAND SIDE LEVER)



PUSH DOWN (THE OTHER HAND SIDE LEVER)




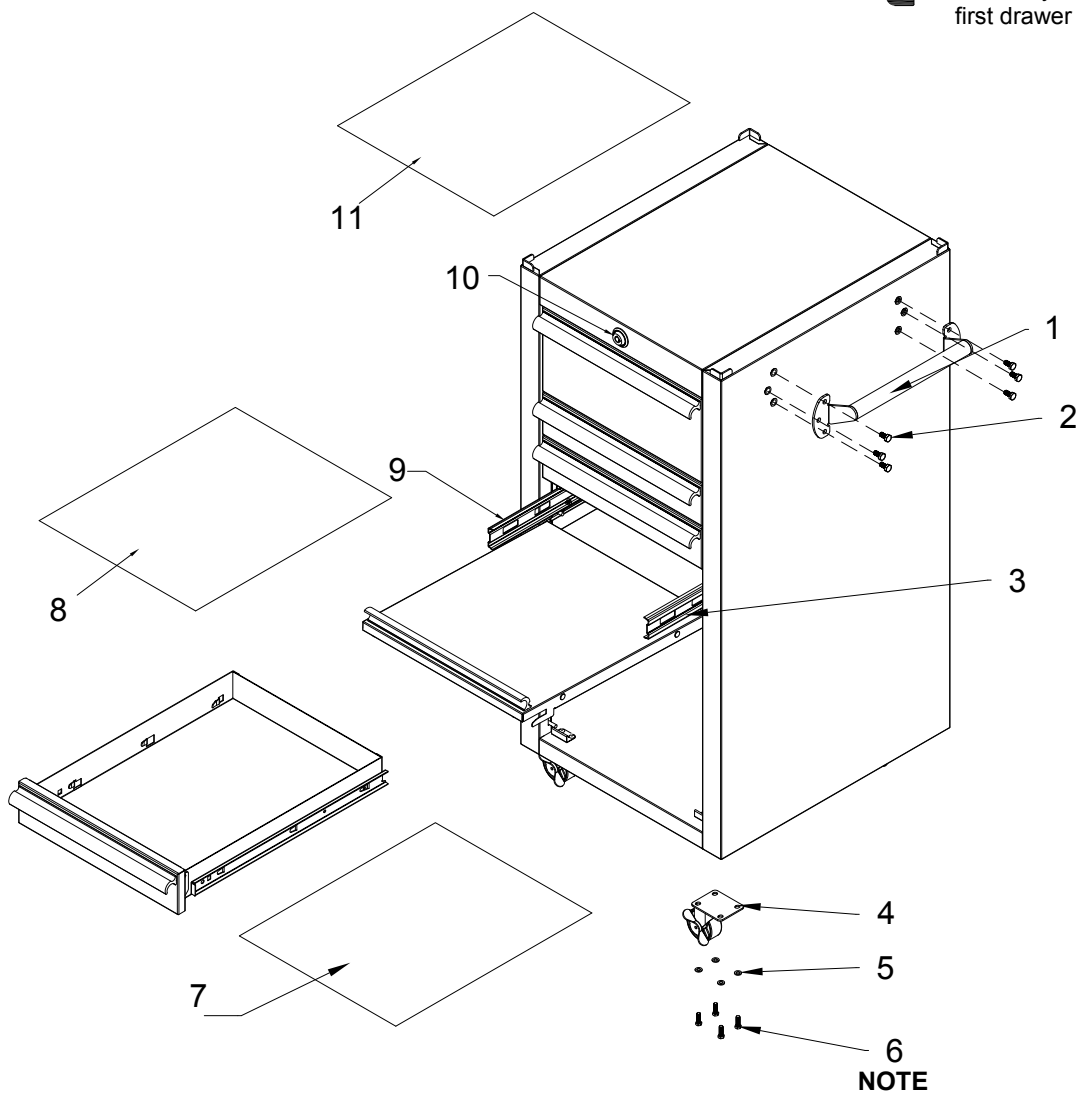
TO REPLACE DRAWERS

Extend the drawer slides from the tool chest. Insert the brackets on each side of the drawer into the slots in the cabinet slides, being careful that they are positioned properly. Once properly inserted, completely close the drawer / work top to set the slides in their proper positions.

PARTS LIST

Ref#	Description	Part#	Qty
1	Cabinet Handle	306071	1 pc
2	M6x12 Hex Bolt	321051	6 pcs
3	Slide(R)	300001	4 pcs
4	Swivel Caster	302071	4 pcs
5	Washer	324018	16 pcs
6	M5x16 Hex Bolt	321031	16 pcs
7	Drawer Liner	550186	4 pcs
8	Door Liner	551776	1 pc
9	Slide(L)	300000	4 pcs
10	Lock	304071	1 pc
11	Top Liner	551767	1 pc

 "The keys are taped to the first drawer of the cabinet."



NOTE

1. Replacement keys may be ordered, the code which appears on the face of the lock required.
2. Give the information for service parts: part number, and quantity.