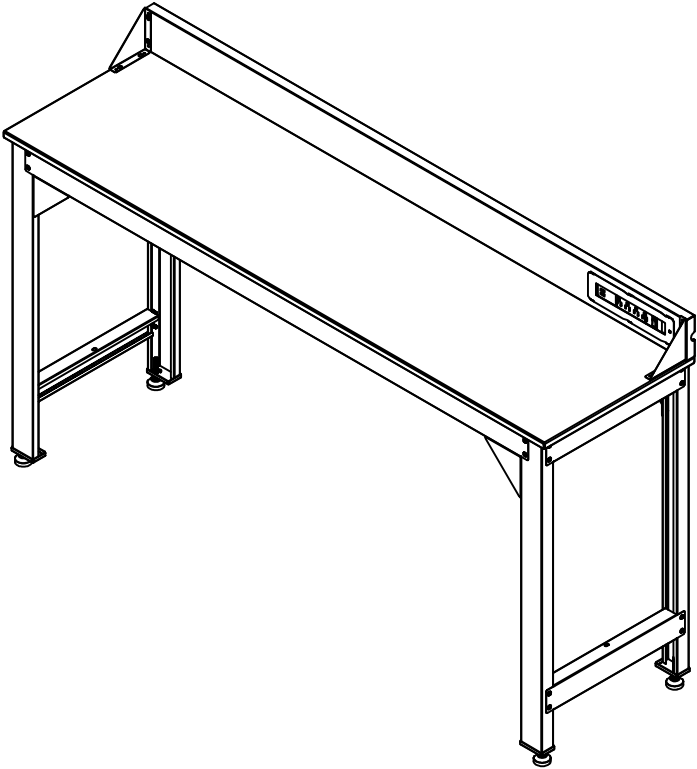


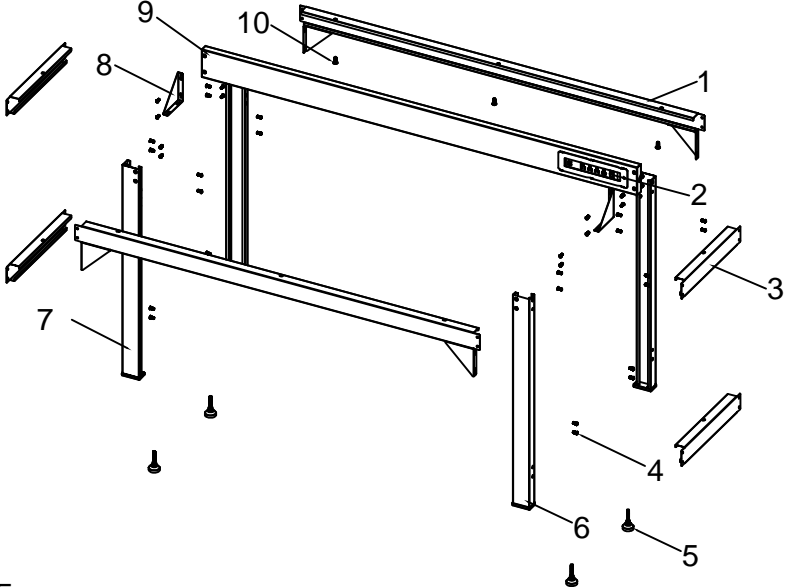
PARTS LIST

72 Inch Steel Workbench Manual

Ref#	Description	Part#	QTY
1	Bracket	121825	2 pcs
2	Power strip	333059	1 pc
3	Slide stiffener	243279	4 pcs
4	M6 x 16 hex socket head screw	320327	38 pcs
5	Adjustable foot	110068	4 pcs
6	Post A	121828	2 pcs
7	Post B	121826	2 pcs
8	Support bracket	243277	2 pcs
9	Back panel	122321	1 pc
10	M6 x 25 flat head self-attack screw	320010	16 pcs



Worktop sold separately

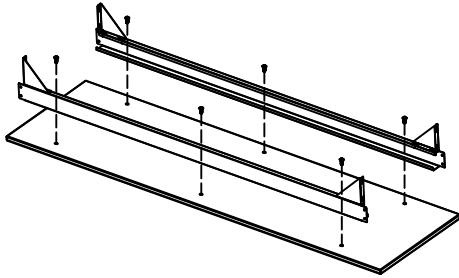


NOTE

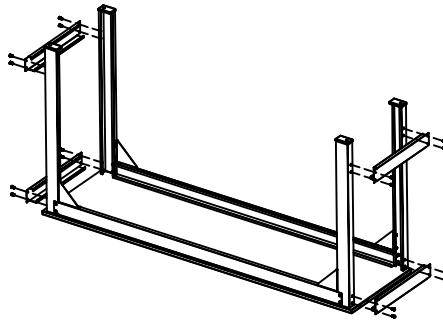
- 1. Replacement keys may be ordered, the code which appears on the face of the lock required.
- 2. Give the information for service parts: part number, and quantity.
- 3. Numbers of colored parts:

ASSEMBLY INSTRUCTIONS

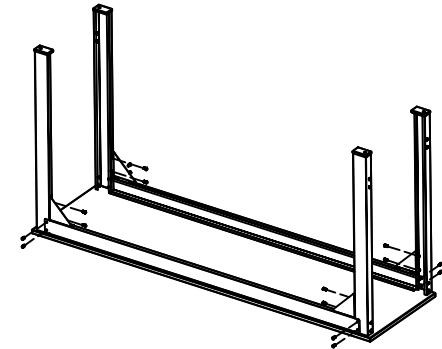
1. Install the brackets with work top by 6 pcs of M6 x 25 screw.



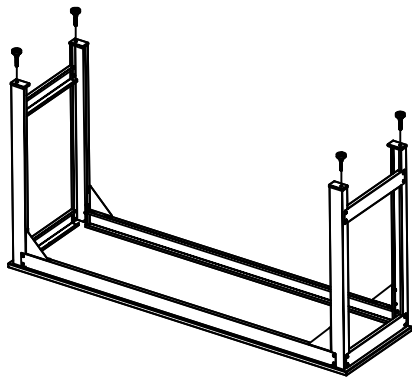
2. Install 4 pcs of stiffeners with posts by 16 pcs of M6 x 16 screw.



3. Install post A/B with brackets by 16 pcs of M6 x 16 screw.

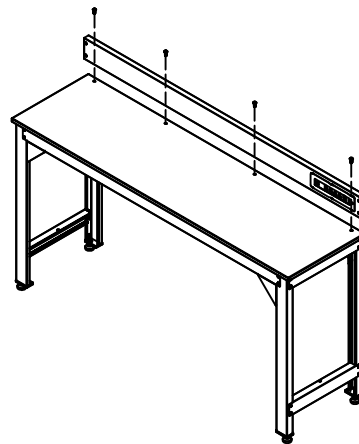


4. Install 4 pcs of Adjustable foot.

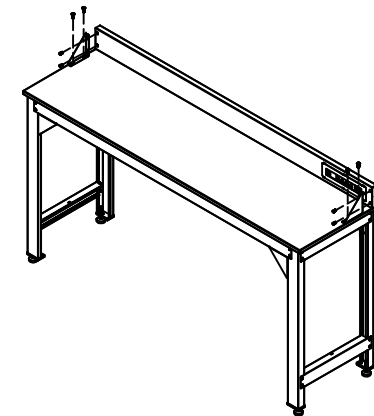


. 3 .

5. Install the back panel by 4 pcs of M6 x 25 screw.



6. Install the support brackets with work top by 4 pcs of M6 x 25 and then connect with back panel with 4 pcs of M6 x 16 screw.



. 4 .