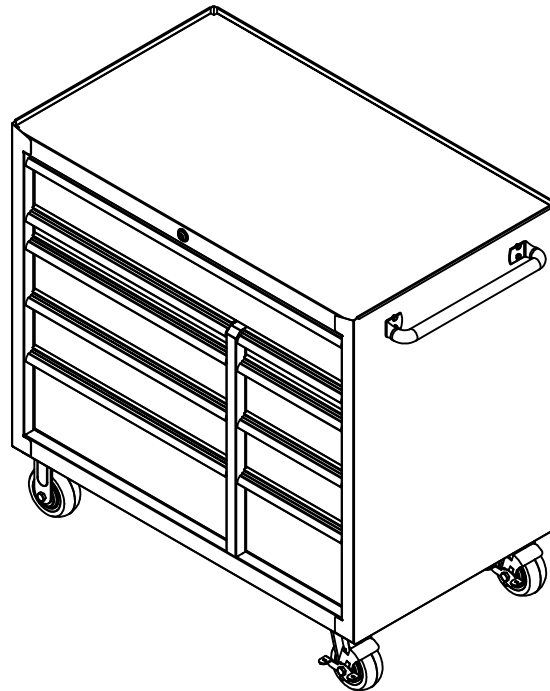


# Steel 41"x24" 9-Drawer Cabinet Manual

Cabinet



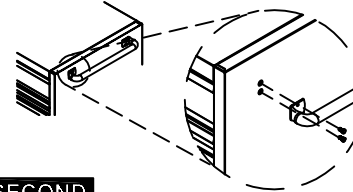
## NECESSARY TOOLS REQUIRED FOR ASSEMBLY

- 10mm socket(for cabinet side handles)
- 14mm socket
- Extension ratchet

### FIRST

#### INSTALL THE HANDLE

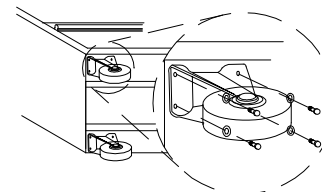
Position the handle over the holes and attach with the bolts provided. Tighten securely using a 10mm socket.



### SECOND

#### INSTALL THE CASTERS

Carefully lay the cabinet on its back with a soft mat underneath for protection. Position the two swivel casters on the bottom of the cabinet, on the right side (same side as the handle). Insert M8x25 bolts through washers, then through the casters and into the bottom of the cabinet. Tighten securely using a 14mm socket. Repeat for the two rigid casters on the other side of the cabinet.

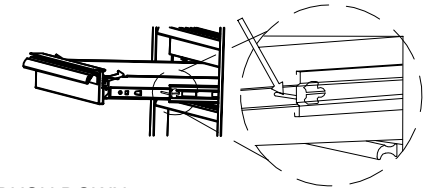


#### TO REMOVE AND REPLACE DRAWERS

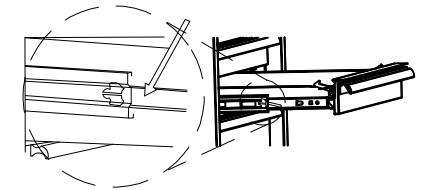
##### TO REMOVE DRAWERS

Pull drawer out so it's almost fully extended. Push up one hand black release lever, while pulling down the other hand black release lever. While holding the levers in the positions as instructed above, pull the drawer outward until it is released from the drawer slide.

PUSH UP  
(ONE HAND SIDE LEVER)



PUSH DOWN  
(THE OTHER HAND SIDE LEVER)



#### TO REPLACE DRAWERS

Extend the drawer slides from the cabinet. Insert the brackets on each side of the drawer into the slots in the cabinet slides, being careful that they are positioned properly. Once properly inserted, completely close the drawer to set the slides in their proper positions.

#### RAISE AND RELEASE DRAWER FRONTS:

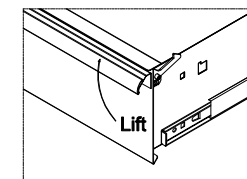
These units are equipped with the raise and release drawer fronts.

To open, lift up on the drawer front while pulling towards you.

To close, shut the drawer firmly until the latch engages.


If the drawer does not stay closed, the hook may be bent, or it may rub against the drawer slides.

To fix this problem, lightly bend the hook until the drawer will engage in the slide.

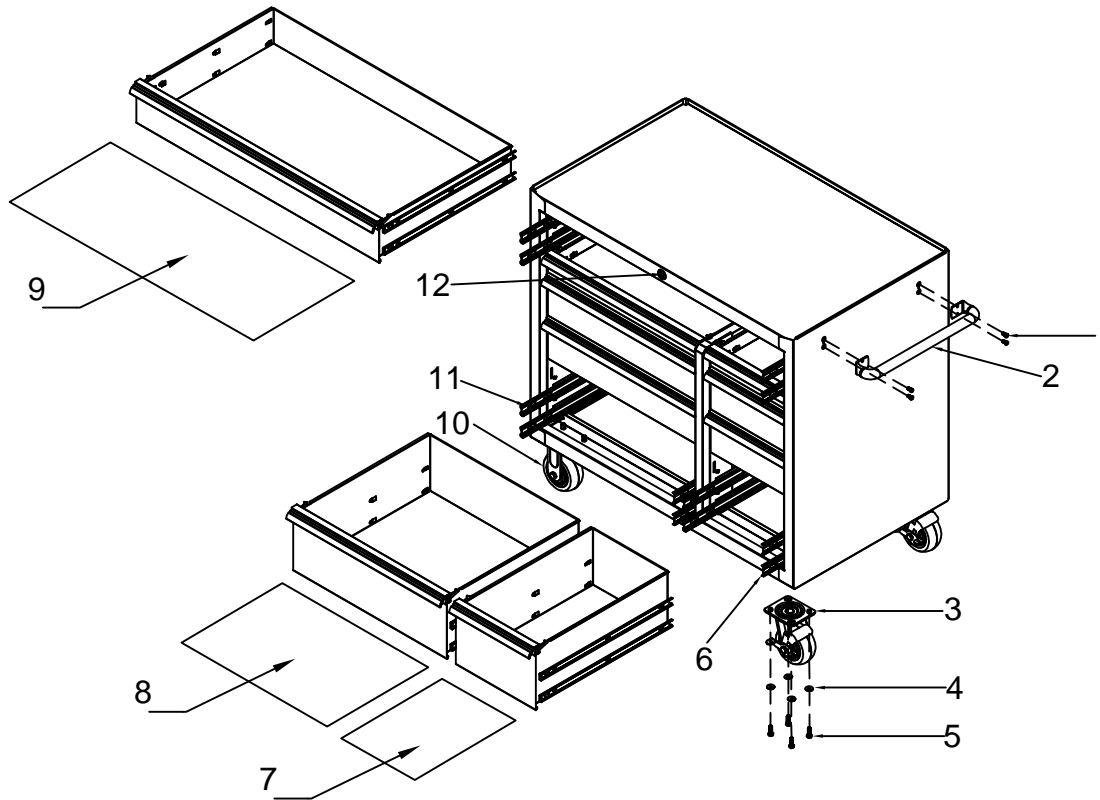


# Cabinet

## PARTS LIST

 "The keys are taped to the top of the caster carton which is placed in the bottom drawer of the cabinet."

Ref#	Description	Part#	Qty
1	M6x12 Hex Bolt	321051	4 pcs
2	Cabinet Handle	306046	1 pc
3	Swivel Caster	302000	2 pcs
4	Washer	324002	16 pcs
5	M8x25 Hex Bolt	321047	16 pcs
6	Slide(R)	300177	12 pcs
* 7	Drawer Liner	551987	4 pcs
** 8	Drawer Liner	551988	4 pcs
*** 9	Drawer Liner	551989	1 pc
10	Rigid Caster	302001	2 pcs
11	Slide(L)	300176	12 pcs
**** 12	Lock	304071	1 pc



Numbers of colored parts:

Description	Green	Pink	Black/White
* Drawer Liners	552011	552008	551987
** Drawer Liners	552012	552009	551988
*** Drawer Liners	552013	552010	551989
**** Locks	304072	304070	304071

### NOTE

1. Replacement keys may be ordered, the code which appears on the face of the lock required.
2. Give the information for service parts: part number, and quantity.