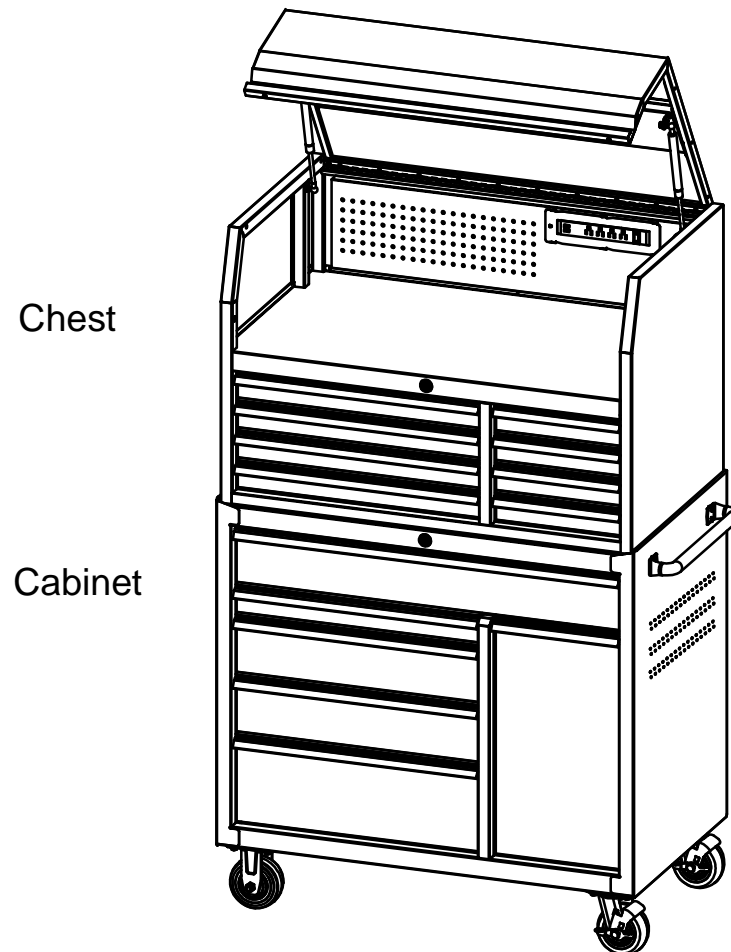


Steel Chest And Cabinet Manual



Chest

Cabinet

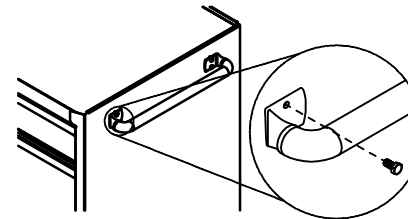
NECESSARY TOOLS REQUIRED FOR ASSEMBLY

- 10mm socket(for cabinet side handles)
- 14mm socket
- Extension ratchet

FIRST

INSTALL HANDLES

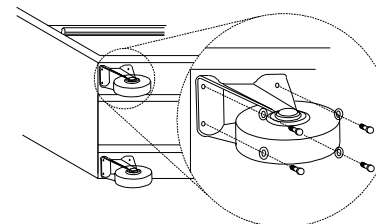
Simply position the handles over the holes and attach with the bolts provided. Tighten securely.



SECOND

INSTALL THE CASTERS

Carefully lay bottom cabinet on its back using a soft mat under the back for protection. Position the two swivel casters on the bottom of the cabinet, on the right side (same side as the handle). Insert M8x25 bolts through washers, then through the casters and into the bottom of the cabinet. Tighten securely using a 14mm socket. Repeat for the two rigid casters on the other side of the cabinet.

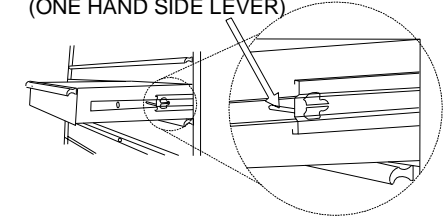


TO REMOVE AND REPLACE DRAWERS

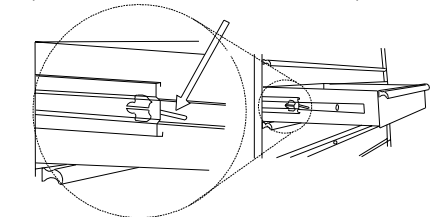
TO REMOVE DRAWERS

Pull drawer out so it's almost fully extended. Push up one hand black release lever, while pushing down the other hand black release lever. While holding the levers in the positions as instructed above, pull the drawer outward until it is released from the drawer slide.

PUSH UP (ONE HAND SIDE LEVER)



PUSH DOWN (THE OTHER HAND SIDE LEVER)



TO REPLACE DRAWERS

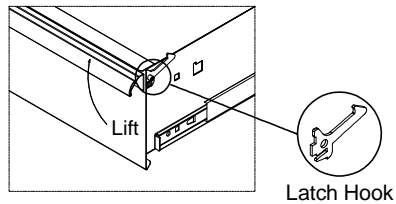
Extend the drawer slides from the tool chest/cabinet.

Insert the brackets on each side of the drawer into the slots in the chest/cabinet slides, being careful that they are positioned properly.

Once properly inserted, completely close the drawer to set the slides in their proper positions.

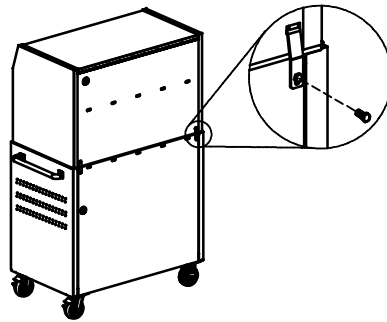
RAISE AND RELEASE DRAWER FRONTS:

These units are equipped with the raise and release drawer fronts.
 To open, lift up on the drawer front while pulling towards you.
 To close, shut the drawer firmly until the latch engages.
 If the drawer does not stay closed, the hook may be bent, or it may rub against the drawer slides.
 To fix this problem, lightly bend the hook until the drawer will engage in the slide.



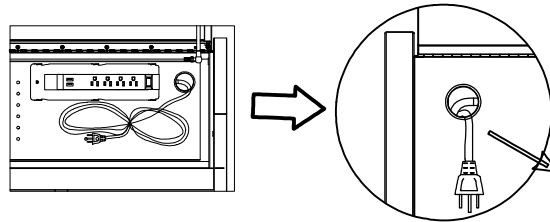
CHEST AND CABINET CONNECTION:

Place the chest on the cabinet;
 Attach the connectors and make sure the hook head snapping in the square hole on the back of the chest, then fasten the screws to the cabinet.



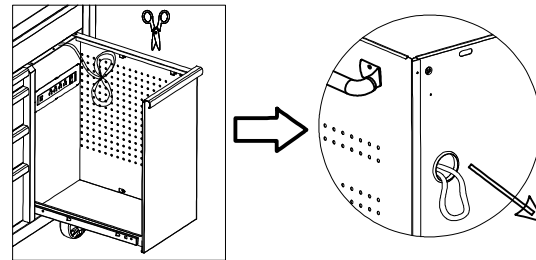
Power Strip Cord (Chest)

Open the lid and cut the band attaching the cord to the pegboard.
 Draw the cord and plug through the hole in the back of the chest as shown.



Power Strip Cord (Cabinet)

Open the power tool drawer and cut the band attaching the cord to the pegboard.
 Push the cord and plug to the back of the drawer. Draw the cord and plug through the hole in the back of the cabinet as shown.



POWER STRIP SPECIFICATIONS.

MODEL: LTS-04C
 SURGE PROTECTIVE DEVICES
 RATING: 15A 125VAC 60Hz 1875W
 USB: TOTAL 2.1A
 USB O/P: IT EQUIPMENT ONLY
 VPR: 700V (L-N) TYPE 3 SPD
 CONFORMS TO UL STD. NO. 1363 AND ANSI/UL STD. NO. 1449
 CERTIFIED TO CSA STD. C22.2 NO. 21

WARNING: RISK OF ELECTRIC SHOCK.

- To avoid serious injury from electric shock:
- Only use the power strip of this product indoors.
 - Only use the power strip of this product in a dry location.
 - Do not plug another power strip into one of the power strips of this product.
 - Do not plug one of the power strips of this product into another power strip.

WARNING: Changes or modifications to this unit not expressly approved by the party responsible for compliance could void the user's authority to operate the equipment.


FCC INSTRUCTION

NOTE: This equipment has been tested and found to comply with the limits for a Class B digital device, pursuant to Part 15 of the FCC Rules. These limits are designed to provide reasonable protection against harmful interference in a residential installation. This equipment generates, uses and can radiate radio frequency energy and, if not installed and used in accordance with the instructions, may cause harmful interference to radio communications. However, there is no guarantee that interference will not occur in a particular installation. If this equipment does cause harmful interference to radio or television reception, which can be determined by turning the equipment off and on, the user is encouraged to try to correct the interference by one or more of the following measures:

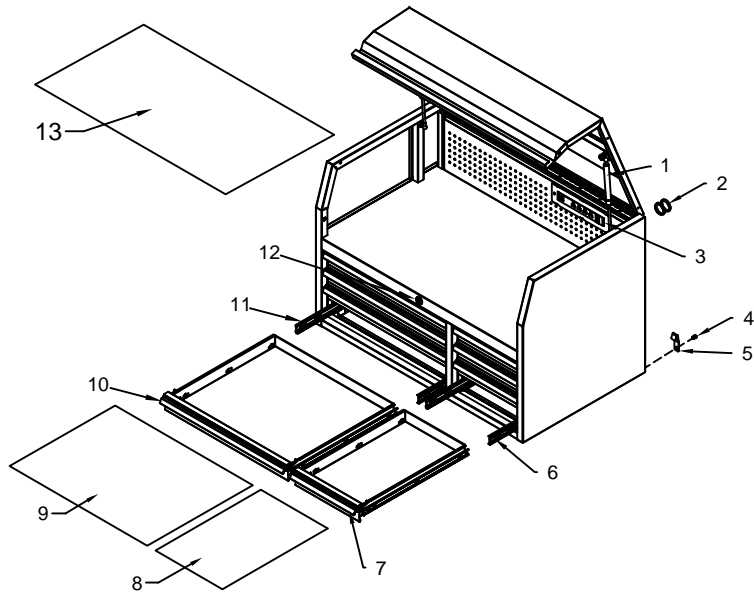
- Reorient or relocate the receiving antenna.
- Increase the separation between the equipment and receiver.
- Connect the equipment into an outlet on a circuit different from that to which the receiver is connected.
- Consult the dealer or an experienced radio/ TV technician for help.

Chest

PARTS LIST

 " The keys are taped to the last left drawer of the chest."

| Ref# | Description | Part# | Qty |
|----------|----------------|---------|-------|
| 1 | Gas Strut | 303186 | 2 pcs |
| 2 | Grommet | 314027 | 2 pcs |
| 3 | Power Strip | 333059 | 1 pcs |
| 4 | M6x12 Hex Bolt | 321051 | 2 pcs |
| 5 | Connector | 200837 | 2 pcs |
| 6 | Slide(R) | 300177 | 8 pcs |
| * 7 | Drawer Pull | 3011015 | 4 pcs |
| ** 8 | Drawer Liner | 552337 | 4 pcs |
| *** 9 | Drawer Liner | 552336 | 4 pcs |
| **** 10 | Drawer Pull | 3011014 | 4 pcs |
| 11 | Slide(L) | 300176 | 8 pcs |
| ***** 12 | Lock | 304071 | 1 pc |
| ***** 13 | Till Liner | 552335 | 1 pc |




Numbers of colored parts:

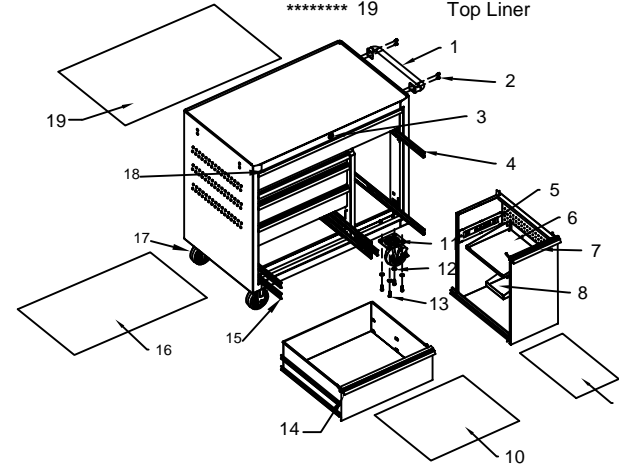
| Description | White | Green |
|-------------------|---------|--------|
| * Drawer Pull | 3011015 | 301241 |
| ** Drawer Liners | 552337 | 552331 |
| *** Drawer Liners | 552336 | 552330 |
| **** Drawer Pull | 3011014 | 301245 |
| ***** Lock | 304071 | 304072 |
| ***** Till Liners | 552335 | 552329 |

Cabinet

PARTS LIST

 " The keys are taped to the top of the caster carton which is placed in the bottom drawer of the cabinet."

| Ref# | Description | Part# | Qty |
|----------|---------------------|---------|--------|
| 1 | Cabinet Handle | 306046 | 1 pc |
| 2 | M6x12 Hex Bolt | 321051 | 4 pcs |
| * 3 | Lock | 304071 | 1 pc |
| 4 | Slide(R) | 300177 | 11 pcs |
| 5 | Power Strip | 333059 | 1 pc |
| 6 | Shelf | 116353 | 1 pc |
| ** 7 | Drawer Pull | 3011015 | 1 pc |
| | Storage bin | 123689 | 1 pc |
| *** 9 | Drawer Liner(Black) | 552340 | 1 pc |
| **** 10 | Drawer Liner(Black) | 552336 | 4 pcs |
| 11 | Swivel Caster | 302000 | 2 pcs |
| 12 | Washer | 324002 | 16 pcs |
| 13 | M8x25 Hex Bolt | 321047 | 16 pcs |
| ***** 14 | Drawer Pull | 3011014 | 4 pcs |
| 15 | Slide(L) | 300176 | 10 pcs |
| ***** 16 | Drawer Liner | 552339 | 1 pc |
| 17 | Rigid Caster | 302001 | 2 pcs |
| ***** 18 | Drawer Pull | 3011016 | 1 pc |
| ***** 19 | Top Liner | 552338 | 1 pc |



NOTE

1. Replacement keys may be ordered, the code which appears on the face of the lock required.
2. Give the information for service parts: part number, and quantity.
3. Numbers of colored parts:

| Description | White | Green |
|---------------------|---------|--------|
| * Lock | 304071 | 304072 |
| ** Drawer Pull | 3011015 | 301241 |
| *** Drawer Liners | 552340 | 552334 |
| **** Drawer Liners | 552336 | 552330 |
| **** Drawer Pull | 3011014 | 301245 |
| ***** Drawer Liners | 552339 | 552333 |
| ***** Drawer Pull | 3011016 | 301249 |
| ***** Till Liners | 552338 | 552332 |