

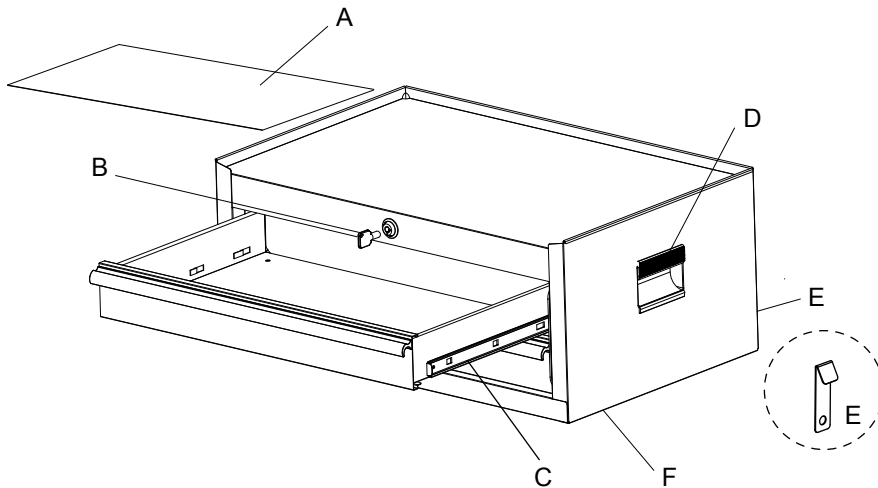
INTERMEDIATE CHEST

⚠ CAUTION

Please ensure all drawers are closed and locked completely before moving the chest. Keep the product on level surfaces. The product may become unstable and tip if stored or moved on an uneven surface, which may cause personal injury or product damage.

⚠ WARNING

Do not alter the product in any manner. Do not step or climb on the chest. Do not open more than one drawer at the same time. The chest may become unstable and tip. Please ensure the chest is locked prior to moving.



Part	Description	Part#	Quantity
A	Drawer liner	9-F73-UACQ26BA02	2
B	Lock & Key	9-07-02L	1
C	Slider	9-13-14G-1	4
D	Side handle	9-04-UAC-1	2
E	Connector	9-18-ACQ41AA	2
F	Plastic Foot	9-12-UAC-H	4

CHEST AND CABINET CONNECTION

WARNING: (Where applicable)

When adding a chest, all add-on tops must be removed from the roller cabinet.

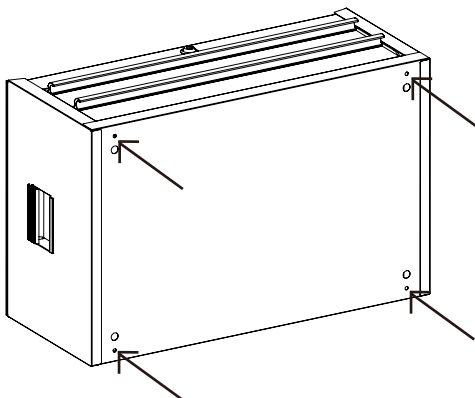
Make sure that both connector brackets are in place and secure.

NOTE: Two or more people may be required to complete this step.

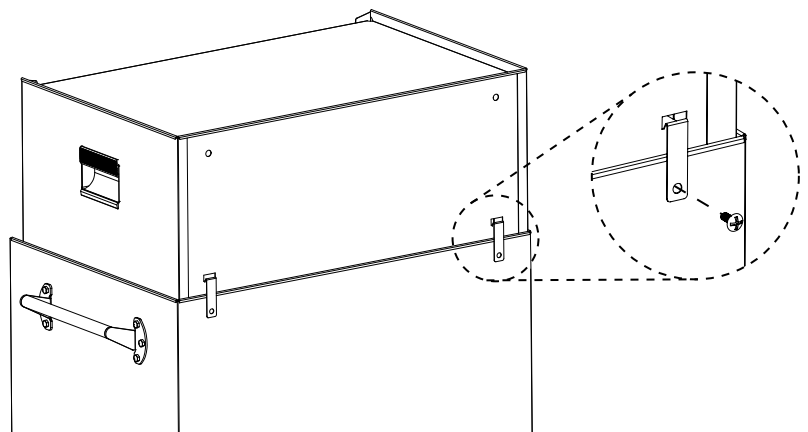
Place the chest on the cabinet. Attach the connectors, making sure the connectors slide into the openings on the back of the chest. Fasten the connectors to the back of the cabinet with screws.

Attaching Plastic Feet

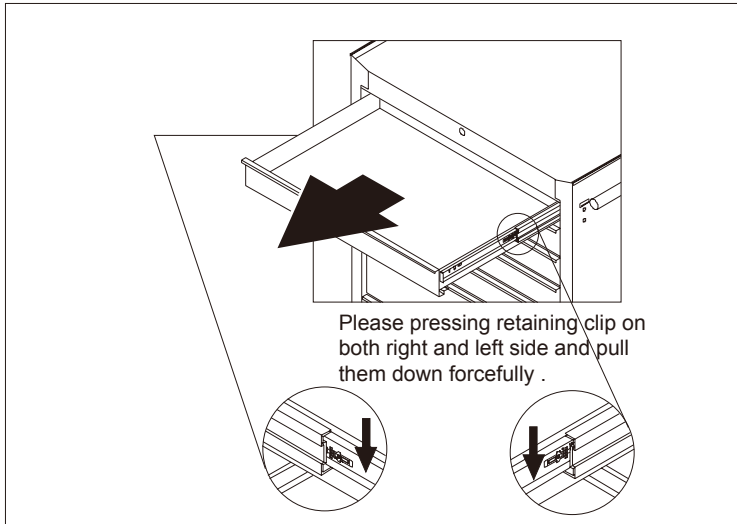
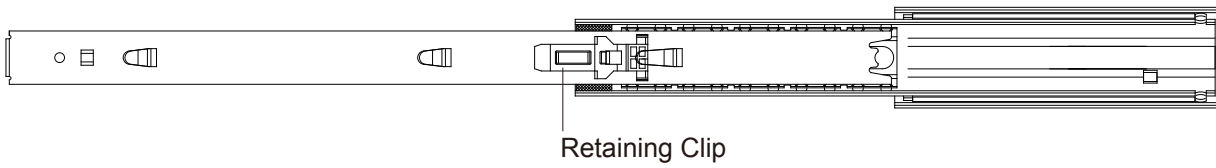
NOTE: 4 Plastic Feet are located in bag found in top till



Insert plastic foot into hole on bottom of chest. Repeat for other 3 feet.

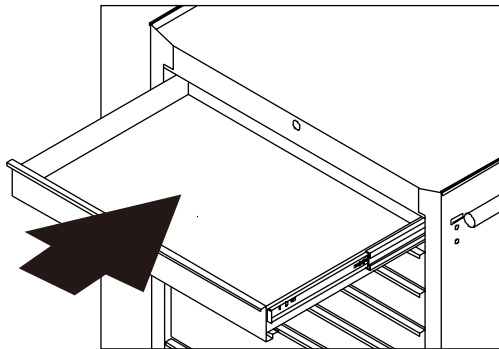


Loading from bottom to top of the cabinet, overloading the top of the cabinet may result in product instability and a tipping hazard.



HOW TO REMOVE DRAWERS

Each drawer slider has a black retaining clip. To remove drawer, retaining clips on sliders need to be released by pressing them (Left side of sliders and right side of sliders) and pull down at the same time, and slide out the drawer.



HOW TO INSTALL DRAWERS ?

Pull the slide out and then match the track to push in.



ATTENTION:

1. When installing the drawer, it is normal that you feel tension when pushing in the drawer.
2. Please push the drawer into the end and pull out for 2-3 times to check whether the drawer moves smoothly or not.
 - a. If the drawer is tight or blocked, it means you are failed to install the drawer, please take out the drawer and install again.
 - b. If the drawer moves smoothly, it means you correctly installed the drawer.

LUBRICATION

It is important for the smooth operation of sliders to lubricate them periodically with light grease . This should be done at least twice a year or more frequently depending on usage.

For warranty registration or replacement parts, please visit our website at WWW.TheOriginalPinkBox.com